

STAINLESS STEEL 316L PRESS FIT FITTINGS (M PROFILE)

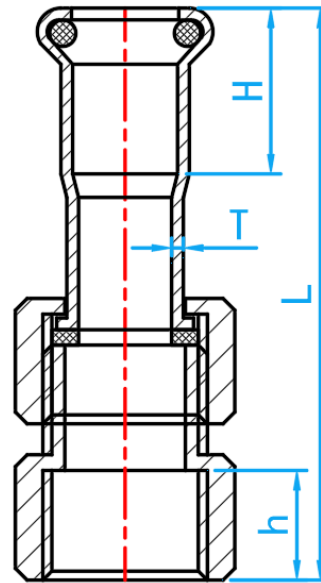
COMPLY WITH BSEN1254-2: 1998



A Product of the nPressGuard® Solution



FEMALE JOINT CONNECTOR



CROSS SECTIONAL VIEW

STANDARD SPECIFICATION

Working Pressure	16 Bar
Working Temperature	0 ~ 85°C
Applications	Hot and cold potable water system.

DIMENSIONS

SKU	SIZE (mm x inch)	L (mm)	H (mm)	h (mm)	T (mm)	WEIGHT (kg)	PCS/CTN
SS316LPFNFC01515	15 × 1/2" BSP	71	20	15	1.5	0.110	180
SS316LPFNFC02020	22 × 3/4" BSP	75	21	17	1.5	0.152	150
SS316LPFNFC02525	28 × 1" BSP	83	23	19	1.5	0.215	70
SS316LPFNFC03535	35 × 1 1/4" BSP	91	26	21	1.5	0.326	70
SS316LPFNFC04242	42 × 1 1/2" BSP	111	31	22	1.5	0.381	50
SS316LPFNFC05050	54 × 2" BSP	116	36	27	1.5	0.634	24